



PERFORMANCE EFFICIENCY DESIGN

0845 474 1478

ecopowerheating.co.uk



vantage

THERMODYNAMIC
ELECTRIC RADIATORS



Dear Customer

Thanks for choosing this Ecopower Heating product. Please read this manual carefully, as it contains important information on the correct and safe and installation of your Vantage Thermodynamic Electric Radiator.

Contents

1) Vantage Electric Radiator characteristics	Pag.3
2) Technical specifications	Pag.3
3) Warnings	Pag.4
4) Installing your Vantage Electric Radiator	Pag.4
5) Electrical connections	Pag.7
6) Regulation and programming	Pag.8
7) Cleaning	Pag.12
8) Trouble shooting	Pag.12
9) Environment	Pag.12



1. Characteristics of the appliance

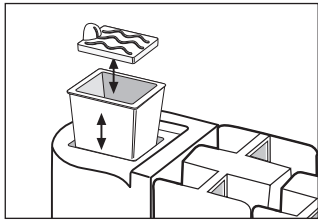
IP24: appliance protected against splashing water

Technical characteristics of the electronic components within your Vantage Electric Radiator

Power supply	230 V +/-10% CA 50 Hz	
	Mod. FD5106	600 W
	Mod. FD5112	1200 W
	Mod. FD5118	1800 W
Insulation class	Class I	
Water protection rating	IP24	
Operating temperature	0 ÷ 40°C	
Storage temperature	-20 ÷ 80°C	
Relative humidity	RH 0 ÷ 85% without condensate	
Regulation type	Proportional integral	
Temperature range	7° ÷ 35°C	
Temperature reading resolution	1/16°C	
Maximum range	0.5°C	
Maximum deviation	1.5 °C	

2. Description and technical specification of your Vantage Electric Radiator

The Vantage Electric Radiator has a die-cast EN AB 46100 aluminium alloy body containing a thermodynamic fluid to transmit heat internally. This fluid is made up of highly refined mineral oil with a high heat transmission coefficient, characterized by high oxygenation resistance for durability and low viscosity.



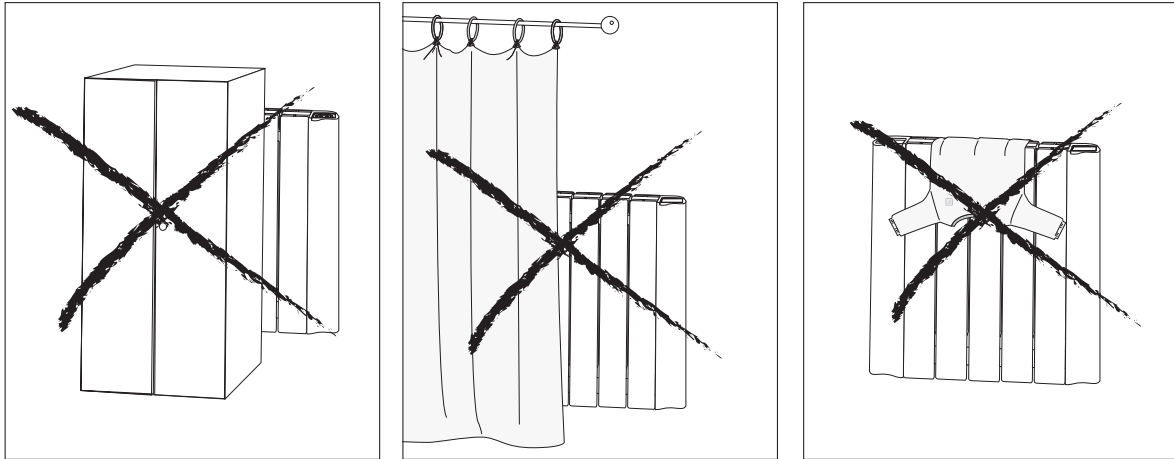
The thermodynamic fluid is heated by means of an electrical resistor with class I insulation, which has a control thermostat and safety thermal fuse. The control and regulation electronics make it possible to regulate the ambient temperature with great precision. On the left-hand side there is a receptacle for scented oils for air freshening, or for distilled water to humidify the heated environment.

The attached CE label certifies that the appliance complies with European directives and electrical standards. The appliance must be installed according to accepted practice, in accordance with current standards and the instructions contained in this manual.

3. Warnings regarding your Vantage Electric Radiator



This symbol appears on a label attached to your Vantage Electric Radiator. It means that you must not cover the radiator, as this may lead to overheating. Ensure that the radiator is not covered with fabric, curtains, or other objects. The radiator should also not be obstructed by bulky objects. This can lead to overheating, and also to decreased heating performance.



Before installation, ensure that the radiator is situated at least 10cm from the corners of your room. It must also never be situated in an alcove, on a shelf, or directly below a power point.

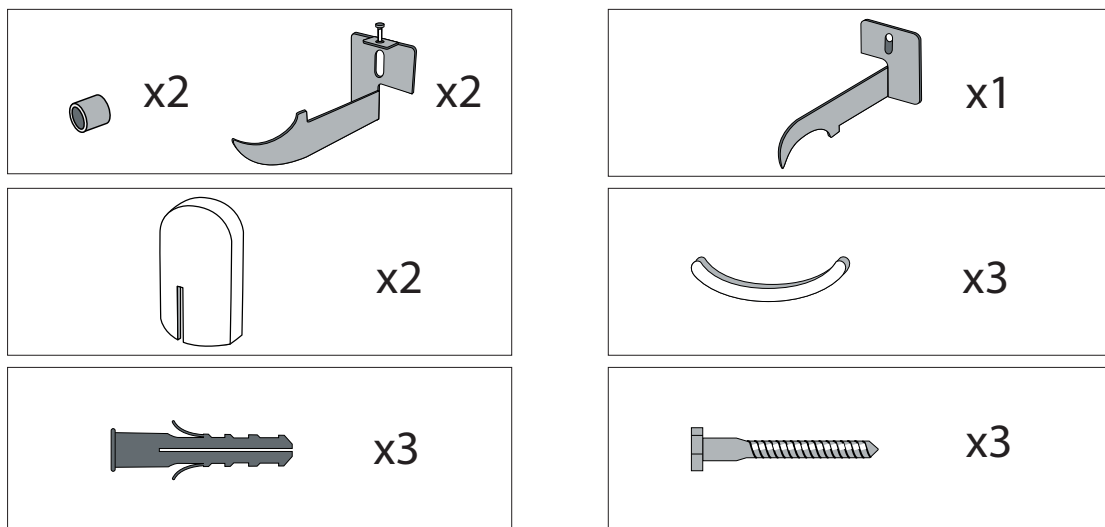
This appliance is not intended for use by persons (including children) with reduced physical, sensory or mental capabilities, or lack of experience and knowledge, unless they have been given supervision or instruction concerning use of the appliance by a person responsible for their safety. Children should be supervised to ensure that they do not play with the appliance, and we suggest locking the controls to prevent tampering. All work required on the appliance must be performed by a qualified professional. Repairs which require opening the thermodynamic fluid reservoir must be made by the manufacturer, or a representative of Ecopower Heating Ltd.

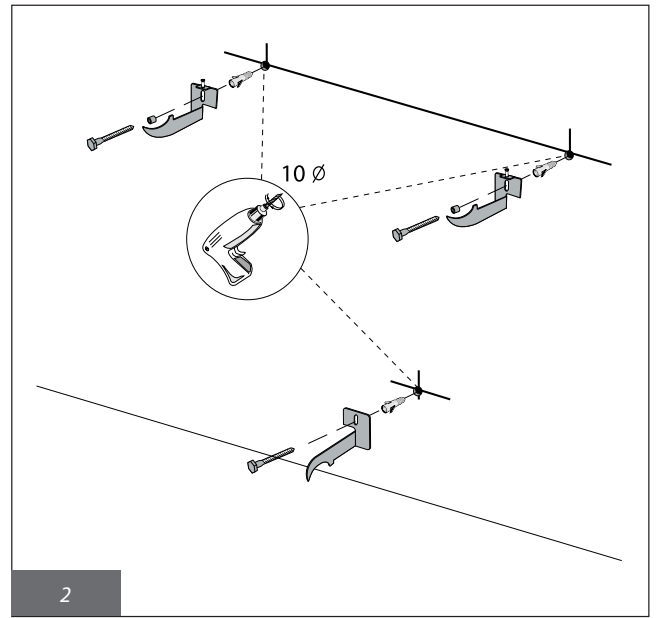
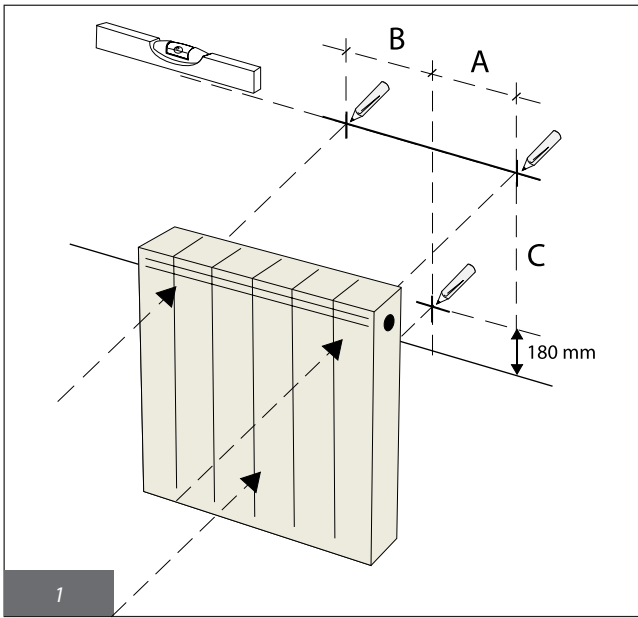
4. Installing your Vantage Electric Radiator

To obtain the best results from your Vantage Electric Radiator in terms of thermal output and comfort, whenever possible we recommend installing the radiator under a window or near areas of the space to be heated which have high thermal dispersion. The radiator must not be installed in an alcove or beneath a power point. Curtains, furniture and objects which may obstruct proper heat distribution must be placed a minimum of 50 cm. from the front of the radiator. Maintain a minimum space of 120 mm between the lower part of the radiator and the floor.

Fixing your Vantage Electric Radiator to the wall

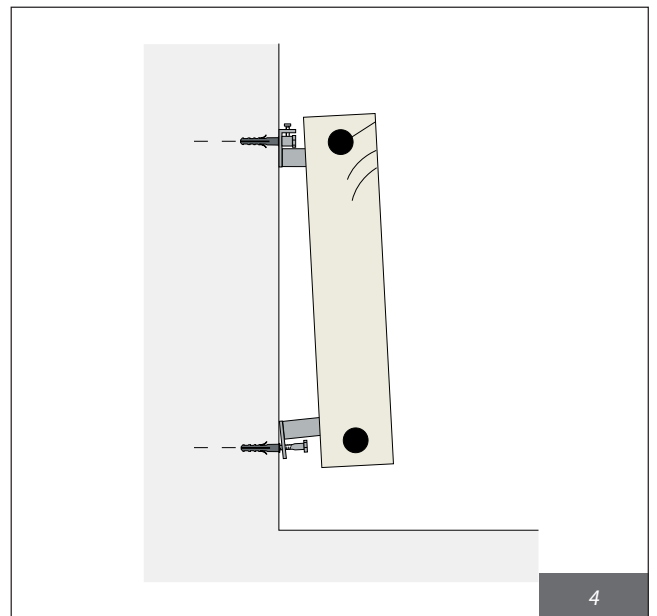
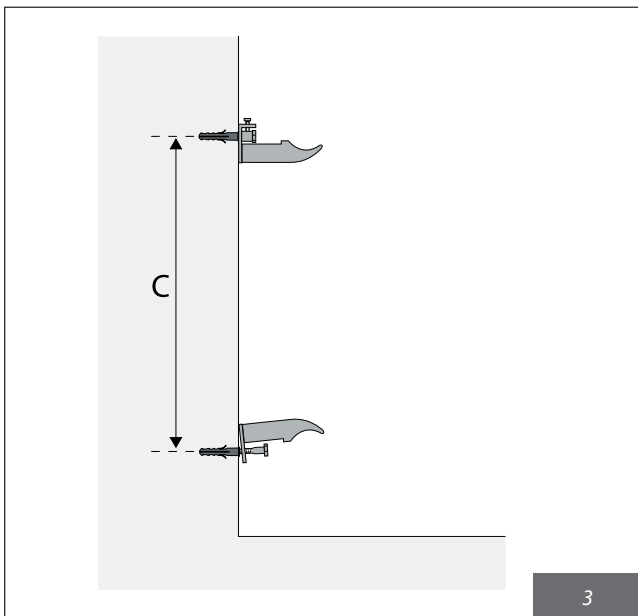
The radiator should be mounted to the wall using the supplied fixings and brackets. The supplied fixing kit consists of:

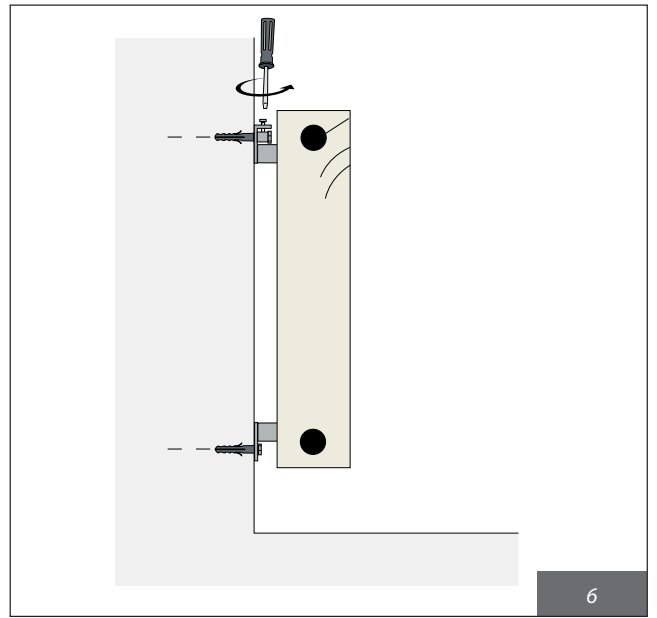
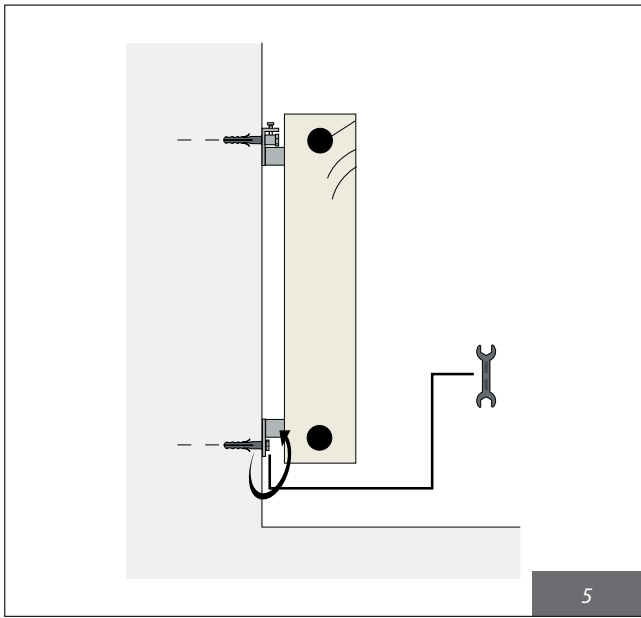





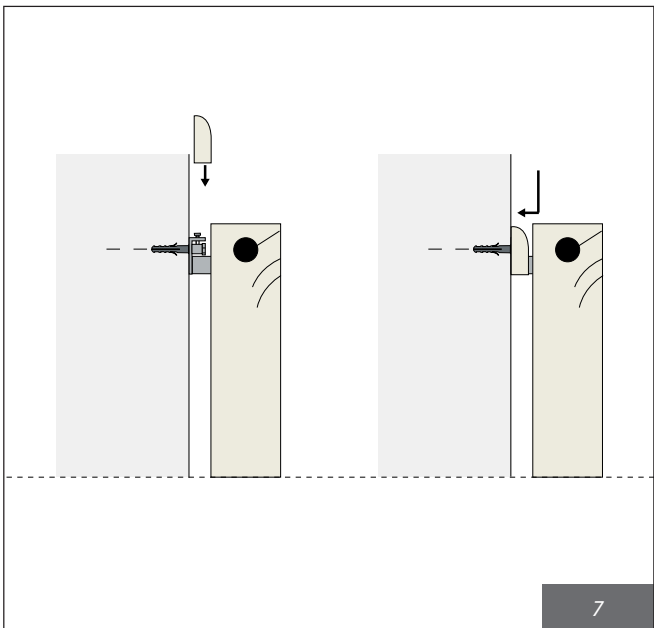
	Number of sections/Wattage		
	600w / 5 sections	1.2kw / 9 sections	1.8kw / 12 sections
Dimension A	160mm	320mm	400mm
Dimension B	80mm	240mm	400mm
Dimension C	500mm	500mm	500mm

Note: Where possible, a minimum clearance of 120mm should be kept between the base of the Vantage Radiator, and the floor.





 The step shown in illustration 6 can only be considered finished when the lower screw has been completely tightened and the radiator is firmly fixed to the wall, with no possible movement.



5. Electrical connections

Important: When installing, or cleaning your Vantage Electric Radiator, it must be disconnected from the power supply. The Vantage Electric Radiator must be connected only to a 230/240v AC power supply.

A multi-pole circuit breaker must be installed. The distance between the contacts must be at least 3 mm. The appliance's power circuit must be protected by a high sensitivity differential protection device.

The radiator is supplied with a 3-pin plug and allows phase, neutral and ground connections.

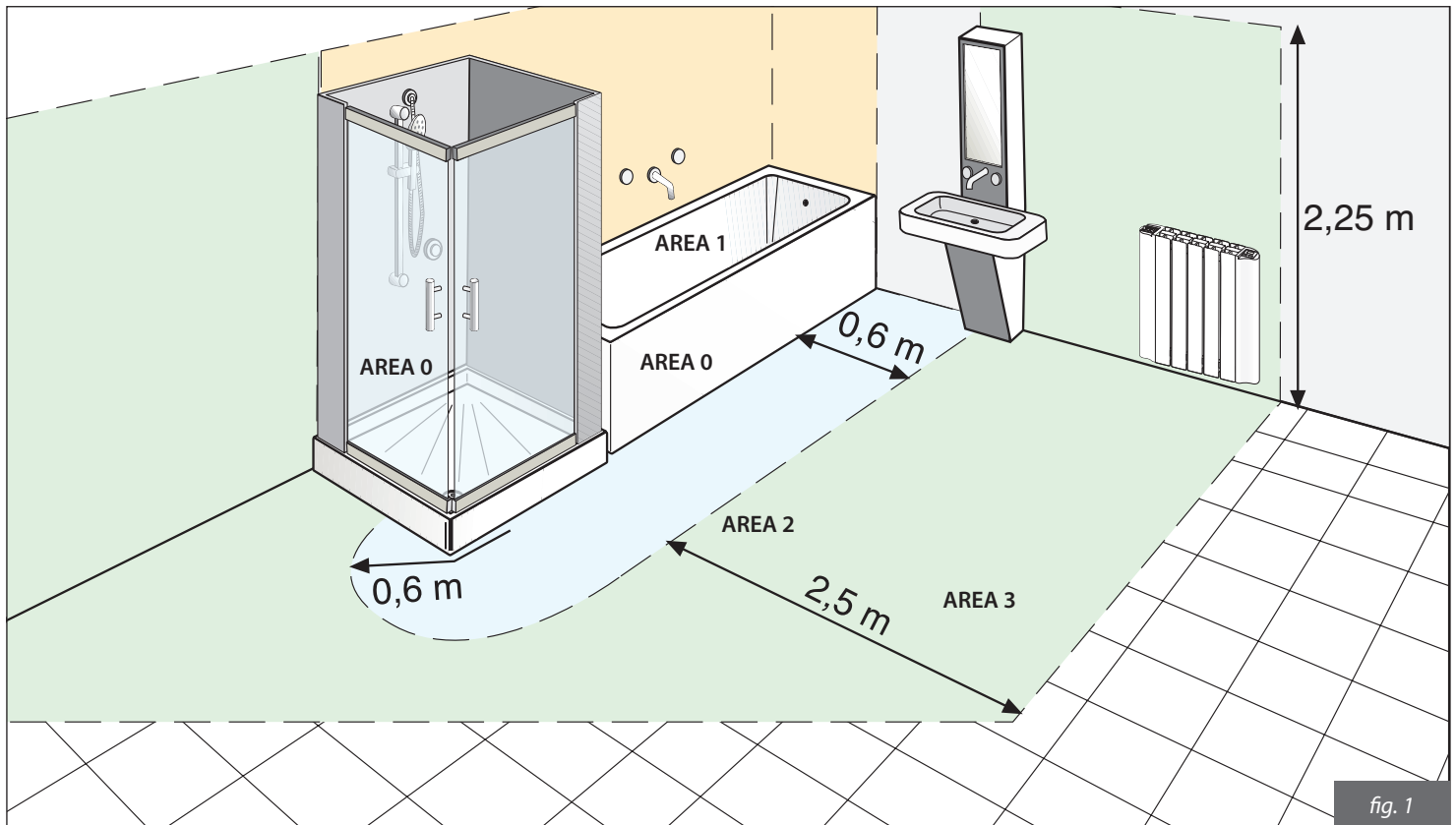
The electrical equipment must be provided with grounding.

Never insert metal objects into or attempt to pierce the side of the radiator containing the regulation system (right side). If the power cord is damaged, it must be replaced by a qualified electrician only.

Details of bathroom installation

The Vantage Electric Radiator must be installed according to current regulations and laws in force in the country of use.

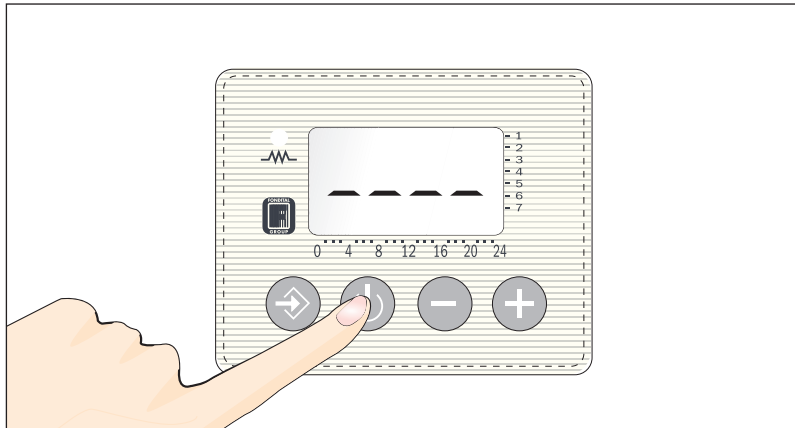
The radiator is class I and has IPX4 electrical protection. In bathrooms, it can be installed in areas 2 and 3 (see figure 1) provided that the control device is not within reach of people using the shower or bathtub. The radiator must not be connected to the earth lead.



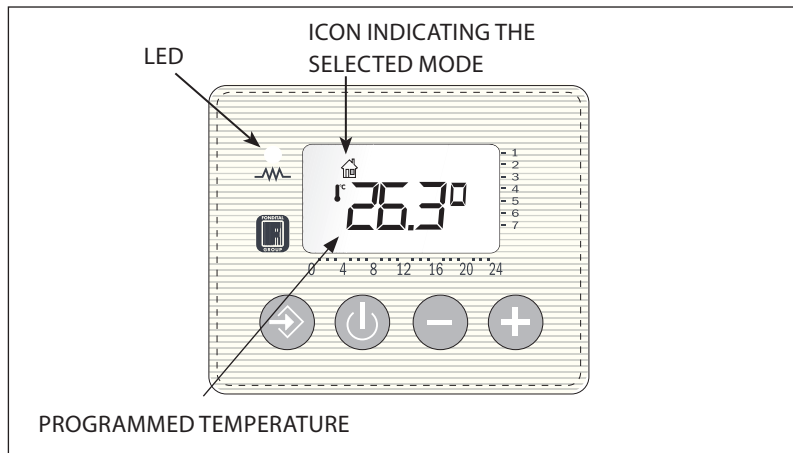
6. Regulation and programming

Switching the Vantage Electric radiator on

The Vantage Electric Radiator is regulated using four keys, as shown in the figure. When the appliance is in stand-by mode the display shows four segments. To turn the radiator on, press the 'on/off' key, as shown in the following figure:



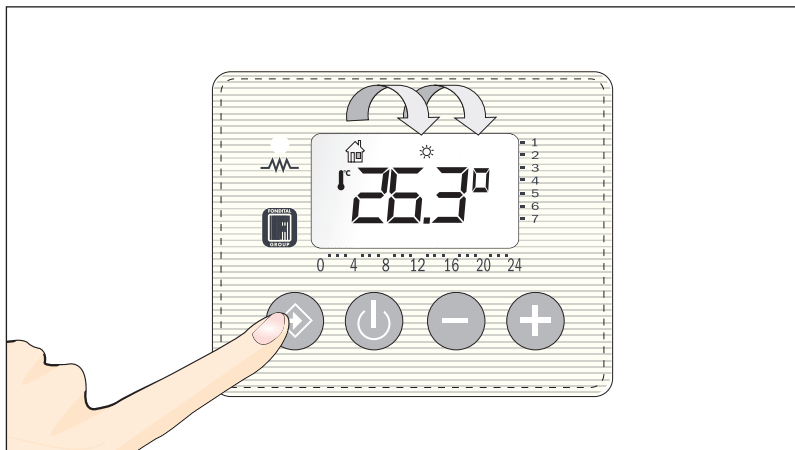
The radiator has various operating modes, as shown in the table. When the radiator is in clock mode, the screen shows the time; in the other modes it shows the programmed temperature. A small icon indicates the current mode.



There is an LED light on the control panel: when the system is in heating mode and the room temperature has not yet reached the desired temperature programmed by the user, the LED is RED. Once the room reaches the programmed temperature, the LED turns GREEN.

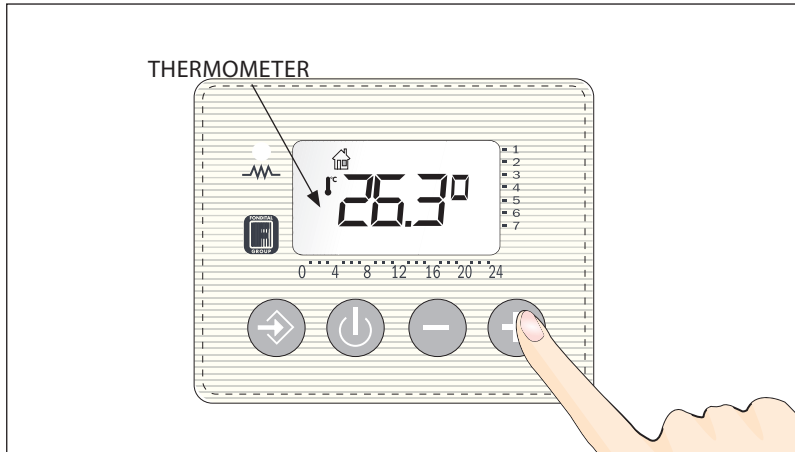
Changing the mode

Press the 'mode' key to select the desired mode:

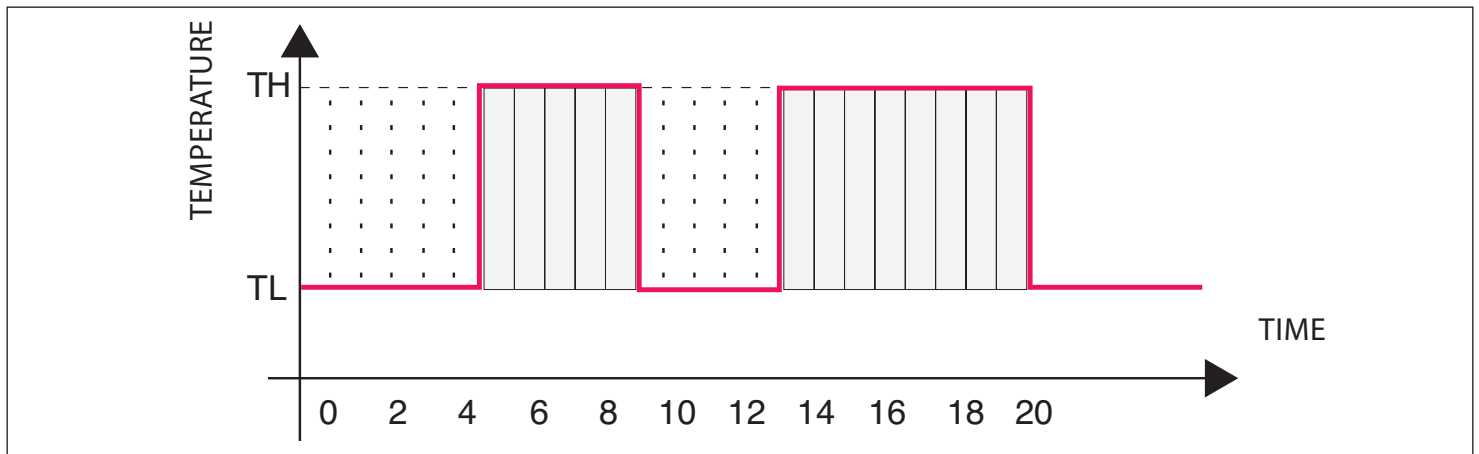


Programming TH (Temp high) and TL (Temp low) temperatures

It is possible to set two separate temperature levels: TH is the desired ambient temperature during operation in Comfort mode. TL is the ambient temperature in Night-time Reduction mode, also known as "set-back". These two temperature levels can be set using the plus and minus keys. A blinking temperature icon on the screen indicates that the temperature is being set. TH can be set in Comfort mode, TL can be set in Night-time Reduction mode.



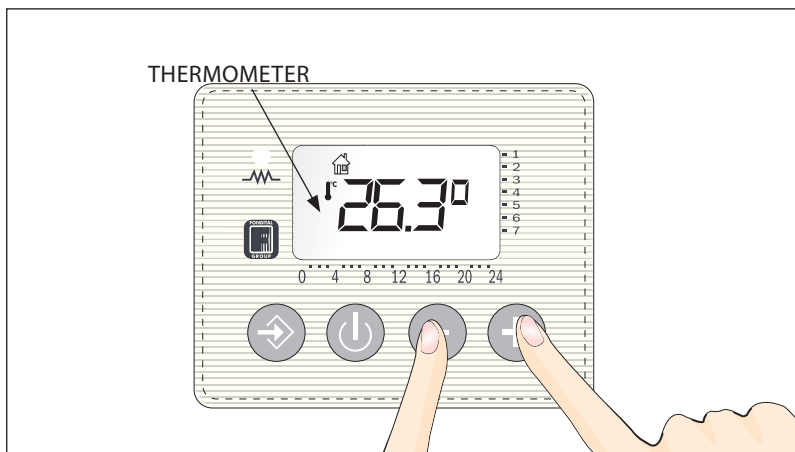
The two temperature levels are also used when programming the Vantage Electric Radiator:



TH is the desired ambient temperature during the time periods selected; TL is the (reduced) desired temperature outside the selected time periods.

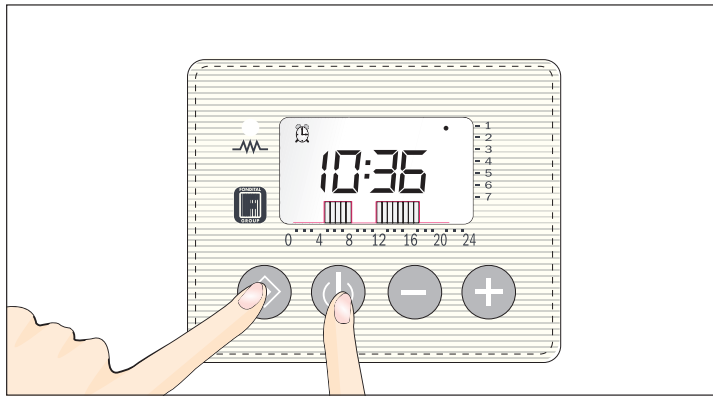
Child lock

The Vantage Electric Radiator can be locked to prevent improper or accidental use. In order to activate the lock, press and hold the plus and minus keys at the same time for three seconds: the keypad will then be locked. In order to unlock the keypad, press and hold both the plus and minus keys again for three seconds.

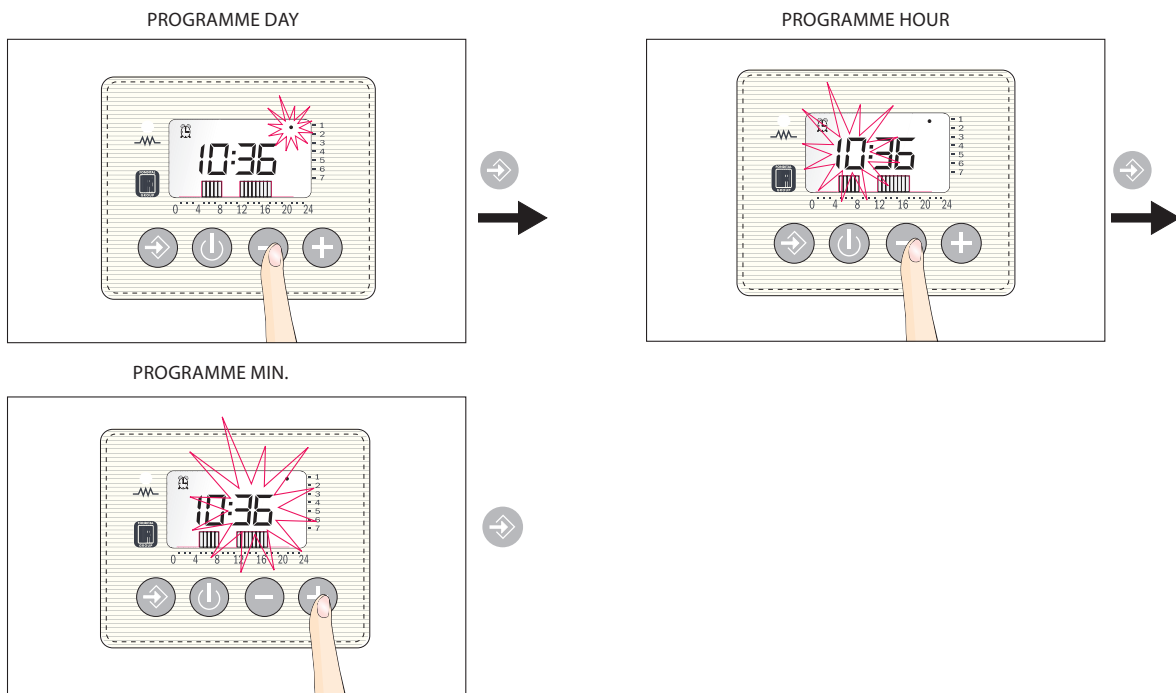


Setting times and weekly programming

Press the 'stand-by' and 'mode' keys at the same time and hold for three seconds.

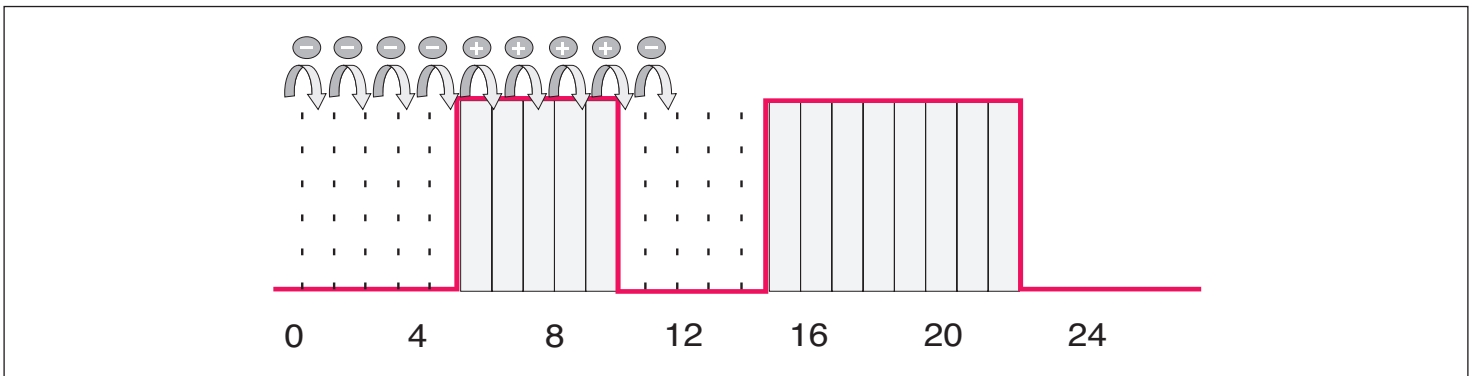


A dot will blink on the screen next to the days of the week. The current day can be selected using the plus or minus key. Use the 'mode' key to confirm the selection. The number corresponding to the hour will blink. Set the correct time using the plus and minus keys. Confirm the selection with the 'mode' key. The number corresponding to the minutes will blink. Set the correct minutes using the plus and minus keys. Confirm the selection with the 'mode' key.



You can now assign a setting to each day of the week. When a segment appears between two times on the programming bar (at the bottom of the screen), this indicates that the TH temperature level has been selected for this period. The absence of a segment indicates that during this period, the radiator will keep the temperature at the TL level.

Starting from day 1, select the times when the TH temperature is desired. Pressing the + key activates the segment on the screen, and therefore TH as well. Pressing the - key deactivates the segment and the programmed temperature will be equivalent to the TL level.

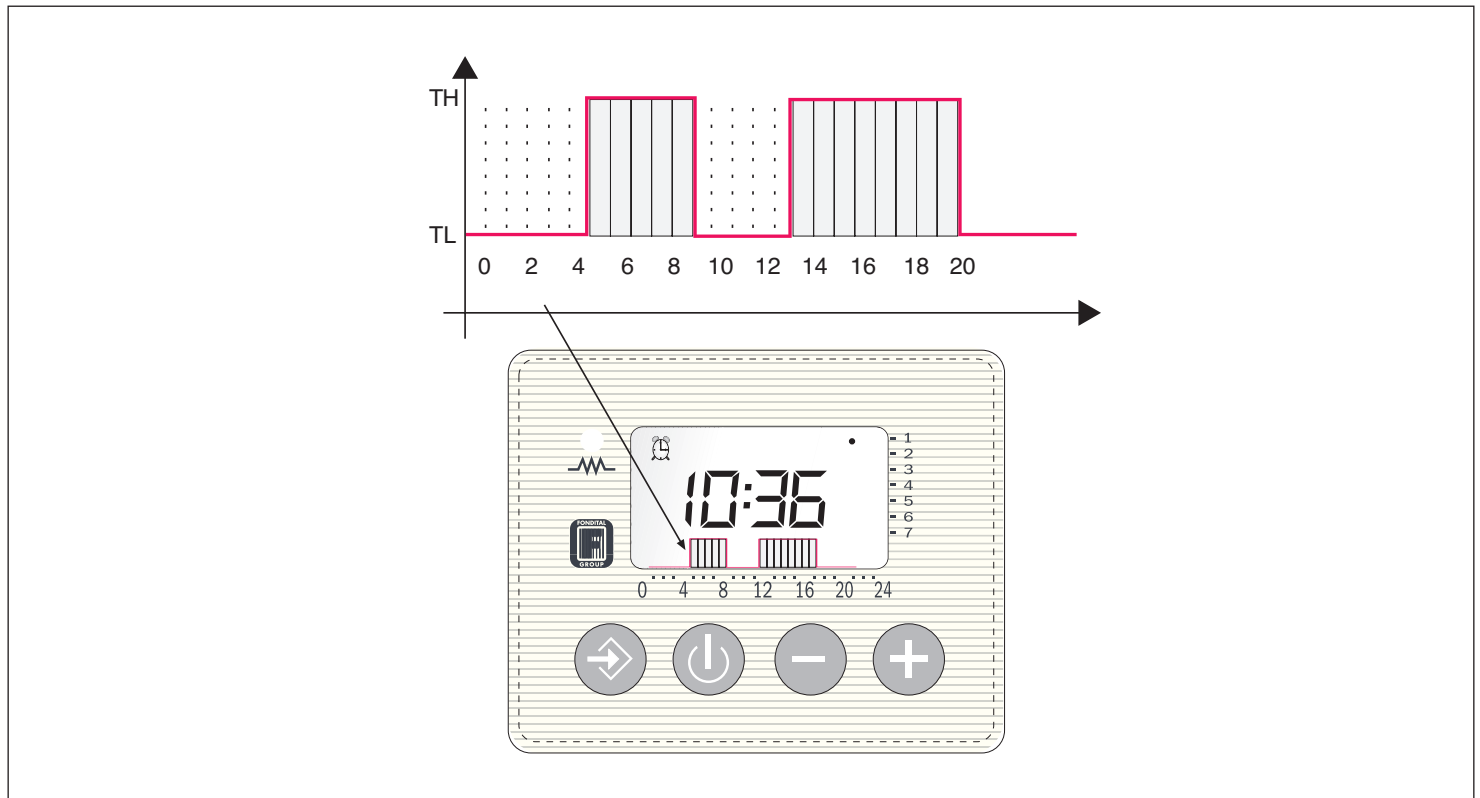


Confirm the selection using the 'mode' key. This same process must be repeated for each day of the week (1-7).

Description of operating modes


6.6.1. Programming mode

In this mode, the ambient temperature remains at the TH or TL level, depending on the times set by the user.




Comfort mode

This is the normal mode when the radiator is in use, keeping the ambient temperature at the programmed level.

1. Press the 'mode' key until the screen displays the icon 
2. Select the desired temperature using the + and - keys.

Night time mode

When this operating mode is selected, the radiator will keep the ambient temperature at the programmed TL temperature. The desired TL temperature is programmed as follows:








1. Press the 'mode' key until the screen displays the icon 
2. Select the desired TL temperature using the + and - keys.

Frost setting mode

When this mode is selected, the ambient temperature will not drop below 7°C.

Stand-by mode

This means that the radiator is in stand-by mode.

Mode	Description
	Setting: Daily and weekly programming which sets the two temperature levels (Comfort and Night-time) defined by the user for each time of day
	Pilot wire: The temperature depends on the Pilot Wire control (for radiators installed in France only)
	Stand-by: The receiver is in stand-by
	Comfort: Comfort status and the temperature which the environment must be kept at are transmitted
	Night-time Night-time status and the temperature which the environment must be kept at are transmitted
	Anti-freeze: Minimum safety temperature: a fixed value equivalent to 7°C is transmitted
	Keypad lock: Pressing on the keypad does not change functions; the keypad is not active
Err 5	The temperature sensor is broken

7. Cleaning the Vantage Electric Radiator

For safety reasons, disconnect the power supply before cleaning the appliance. Cleaning must be done when the radiator is turned off and is cold. Do not use abrasive or corrosive products to clean the body: use soapy water, for example, and dry the external casing with a soft cloth. Clean plastic parts, controls and the humidifier with a dry cloth only and avoid contact with chemicals or alcohol.

8. Trouble-shooting

If the Vantage Electric Radiator stops working, disconnect from the power supply and contact only a qualified technician who is authorized to work on this type of product.

This appliance has been filled with an exact quantity of mineral-based thermodynamic fluid. Repairs which require opening the liquid reservoir must be made by the manufacturer, its representatives or customer service. The manufacturer accepts no responsibility for harm to persons, animals, and objects which may result from untrained handling of or improper work on the radiator.

PROBLEM	RADIATOR STATUS	POSSIBLE CAUSE	SOLUTION
The radiator does not heat up	LCD not lit	Lack of power supply	Verify that power is flowing to the appliance
The radiator does not heat up	LCD lit in Set mode	The radiator is set for the night-time level	Check programmed settings
The radiator does not heat up	LCD lit in Comfort or Set mode	Malfunction in the electrical resistor or regulation board	Contact technical support for repair
The radiator does not heat up	LCD lit in Comfort / Set / Night-time or Anti-freeze mode	The ambient temperature is higher than the programmed level	Check the temperature programmed
The room does not get hot enough in Comfort mode	LCD lit in the desired mode	The radiator is not large enough for the size of the room	Replace the radiator with one with greater output
Ineffective ambient temperature regulation	Err 5	The temperature sensor is broken	Contact technical support for repair
The radiator is leaking oil	Any	Defect in the body or improperly closed connections	Contact technical support for repair

9. Environment



The symbol placed on the appliance and shown here indicates that the product is subject to separate collection of electrical appliances. At the end of its useful life, it cannot be disposed of together with common municipal solid waste. It must be disposed of at a specific collection centre for the area or be given to the distributor when a new appliance of the same type is purchased for the same use. Separate collection of electrical and electronic appliances is part of a policy aimed at defending, protecting and improving the quality of the environment, and at limiting the harmful effects on human health caused by the presence of substances considered hazardous according to the classification applied in European directives.

Warning! Improper disposal of the appliance is subject to penalties.

DECLARATION OF CONFORMITY

With the present,

Ecopower Heating Ltd

252 High Street

Aldershot

Hampshire

GU12 4LP

hereby declares that the

ELECTRICAL RADIATORS

FOR HEATING

Model

VANTAGE

are manufactured in accordance with European directives

- DIRECTIVE 2006/95/CE of 12 December 2006 on the harmonisation of the laws of Member States relating to Electrical Equipment designed for use within certain voltage limits (low voltage)
- DIRECTIVE 2004/108/CE, for electromagnetic compatibility
- DIRECTIVE 2002/96/CE of 27 January 2003 on waste from electrical and electronic equipment (WEEE).

And in accordance with the following harmonized regulations:

- EN 60335-1 (2004-04): safety of electrical equipment for domestic or similar uses. General regulations.
- EN 60335-2-30 (2006-05): safety of electrical equipment for domestic or similar uses. Part 2: Specific regulations for electrical heating appliances for premises.
- EN 55014-1: 2000 + A1: 2001 + A2: 2002
- EN 61000-3-2: 2000
- EN 61000-3-3: 1995 + A1: 2001
- EN 55014-2: 1997 + A1: 2001
- EN 61000-4-2: 1995 + A1: 1999 + A2: 2001
- EN 61000-4-4: 1995 + A1: 2001 + A2: 2002
- EN 61000-4-5: 1995 + A1: 2001
- EN 61000-4-6: 1996 + A1: 2001
- EN 61000-4-11: 1994 + A1: 2001

18/03/13



www.ecopowerheating.co.uk / 0845 474 1478 / enquiries@ecopowerheating.co.uk



Warranty information

The manufacturer warrants that the aluminium body, the fluid contained within, and the heating element of this product (Vantage Electric Radiator/ Alcor FD) will be free from manufacturing defect, for a period of 10 years from the date of purchase. All electronic components are guaranteed against manufacturing defect for a period of 2 years from the date of purchase.

